

MANHASSET®

Instructions for assembly:
Harmony Music Stands

The standard of excellence around the world since 1935.

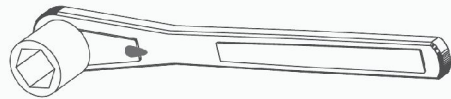
CAUTION: DO NOT apply any lubricant to the height adjustment shaft of these music stands, as that may cause the friction-grip clutch to lose some of its hold power.

TOOLS REQUIRED:

Screwdriver



**Ratchet with
11/16 or 17MM
Socket**



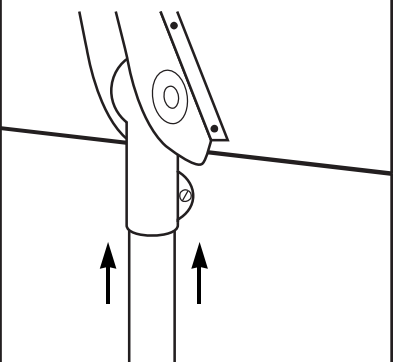
1 Remove bolt and base cup washer from base of center column.



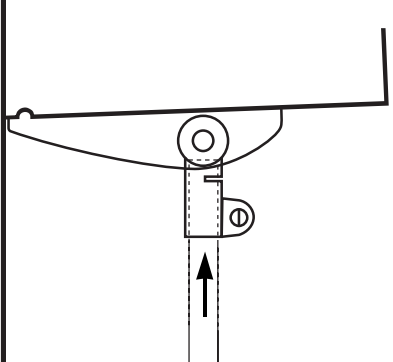
2 Place A-frame base over lower end of center column, replace retaining base assembly and tighten very securely.



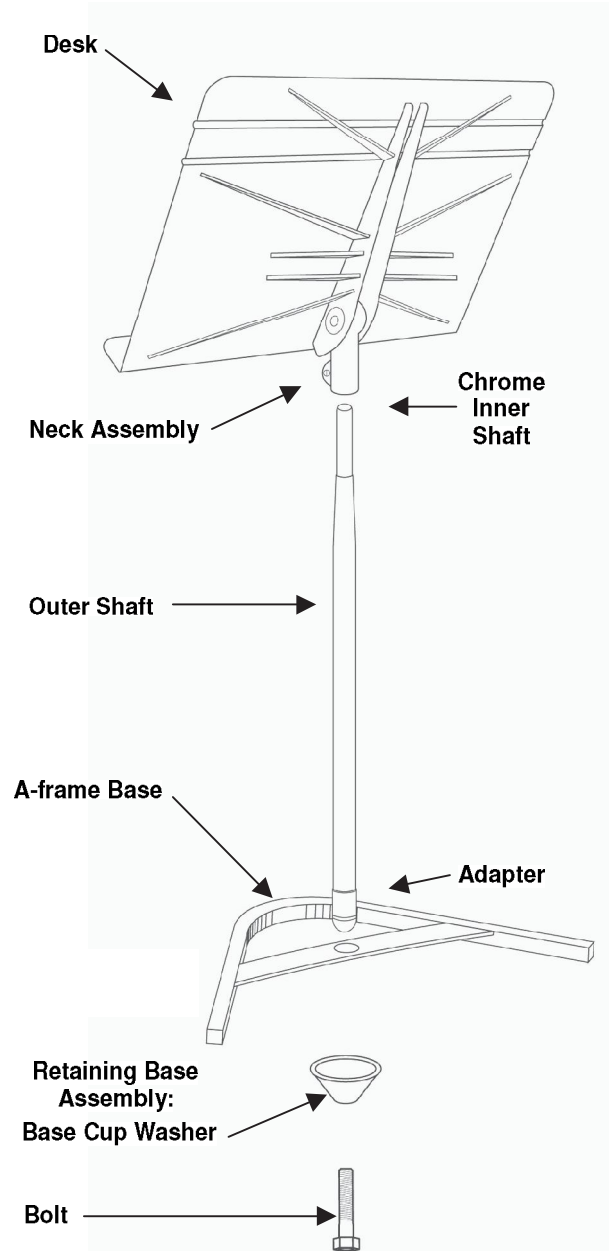
3 Extend the chrome inner shaft approximately 7 inches and place into neck assembly on backside of desk with a rotating motion.



4 Ensure shaft is fully inserted into neck assembly. (to the depth of dashed line indicated on illustration)



Music Stand Parts (Showing Back of Desk)



5 Tighten clamp onto the chrome shaft using a screwdriver.

